

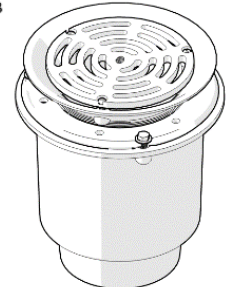
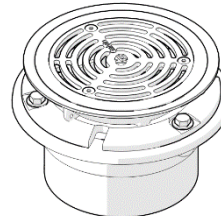
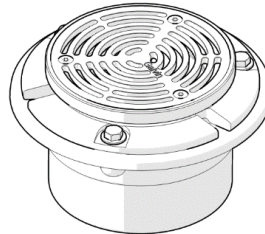
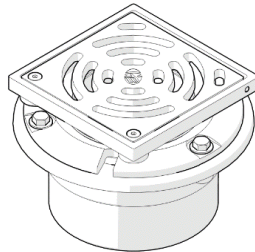
Bucket Floor Trap Combo



WaterMark
WMTS 040:2021 Lic. WMK02448
SAI Global

PRODUCT CODES:

- DB4D08SX
- DB4D12SX
- DB4S06SX
- DB4S08SX
- DB4S06RX
- DB4D08VX
- DB4S06VX



SPECIFICATIONS

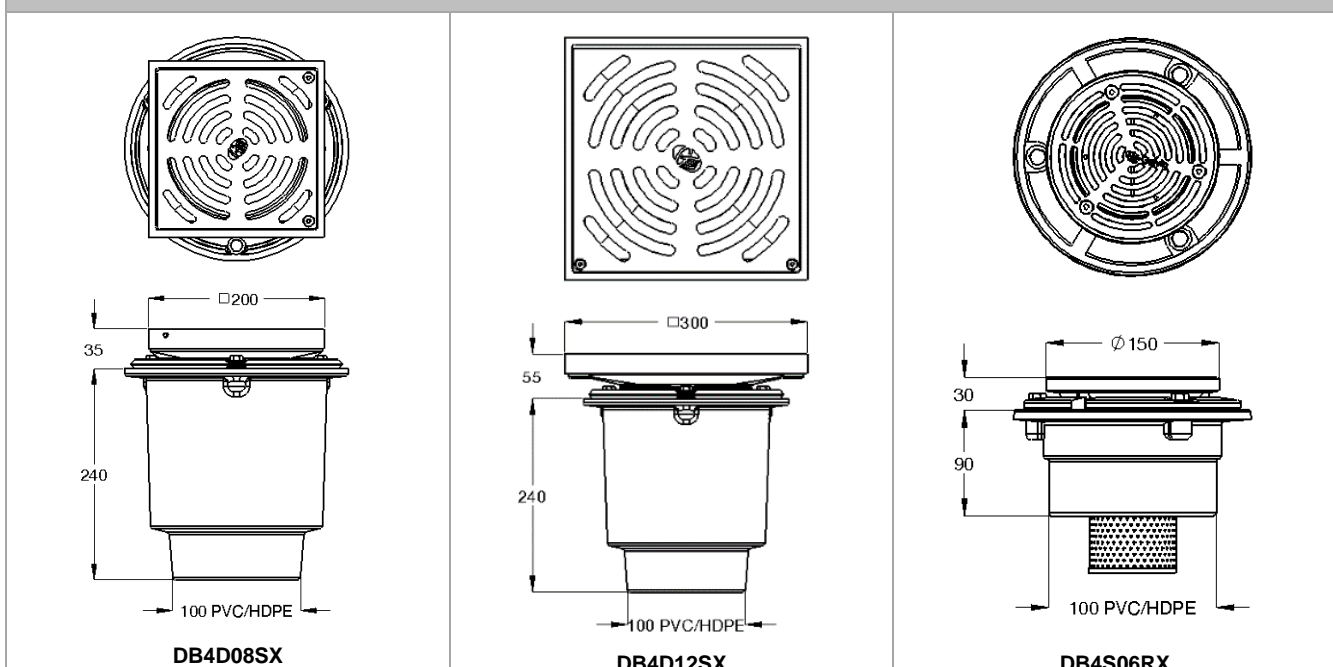
- Cast iron drain body material
- Stainless steel grate and dual strainer
- Ideal for commercial kitchens, food preparation areas, shopping centres, health care facilities
- Vinyl type available, ideal for commercial kitchens, schools, shopping centres, hospitals and aged care facilities.

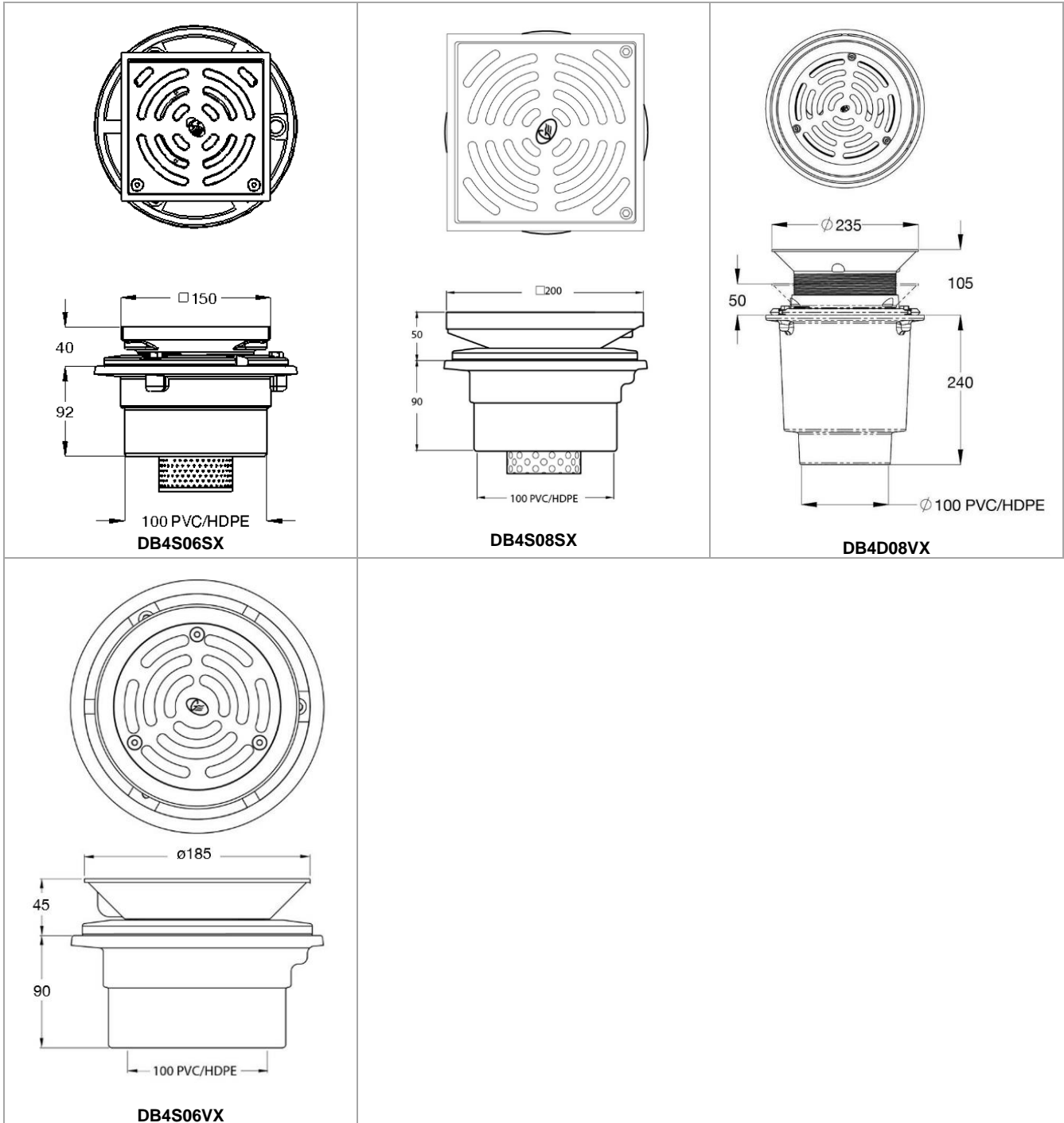
TECHNICAL DATA

Grate Shape		Round/Square
Outlet		100 PVC/HDPE/CU
Material	Grate	Stainless Steel
	Body	Cast Iron
	Strainers	Stainless Steel

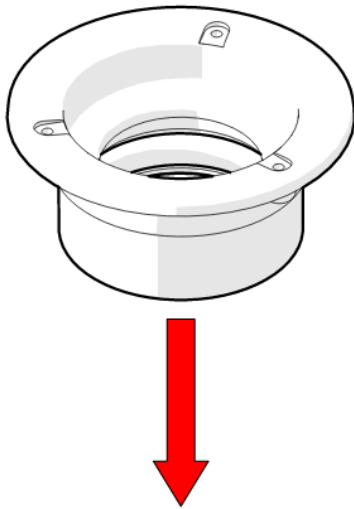
NOTE: Galvin Specialised continually strive to improve their products. Specifications may change without notice.

PRE-INSTALLATION - DIMENSIONS



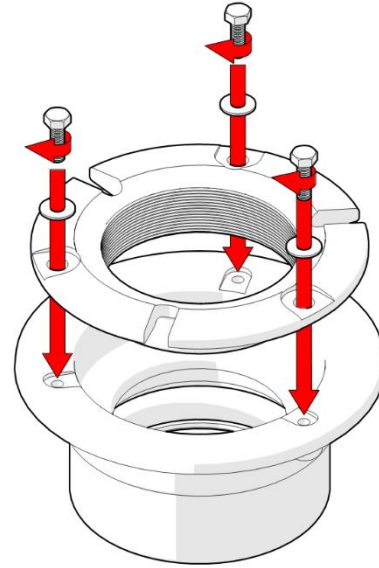


TYPICAL INSTALLATION (Non-Vinyl Type)



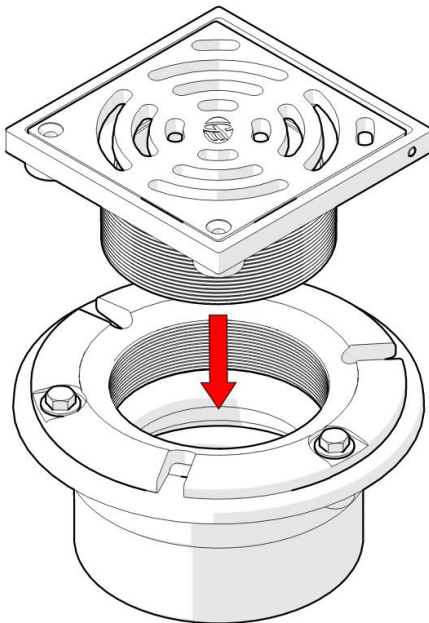
1. Insert Drain Body

- Insert the Drain body to the prepared hole connecting to the PVC/HDPE pipe.



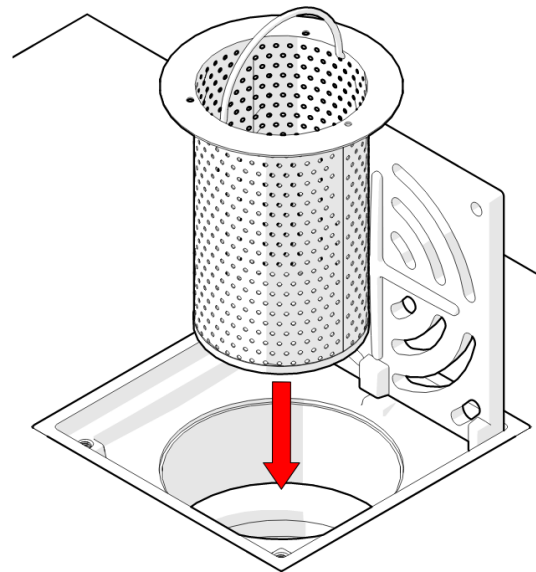
2. Secure Clamp Ring

- Secure the clamp ring using supplied washer and screws.



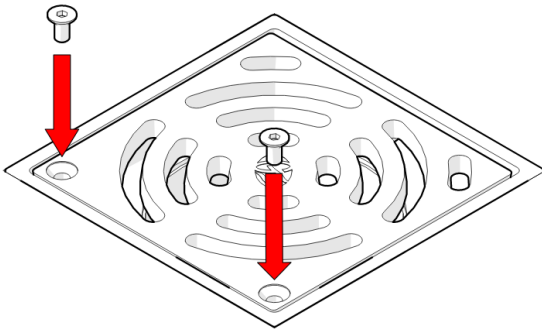
3. Insert Grate Assembly

- Screw in grate body to drain body
- Apply flooring procedures as required



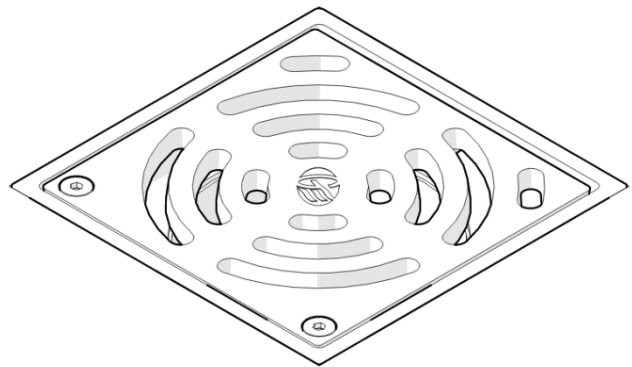
4. Insert Removable Strainer

- Insert removable strainer in the grate body opening



5. Secure Grate

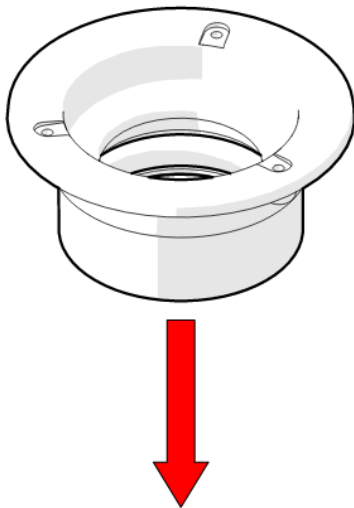
- Secure grating as shown



6. Check Correct Operation

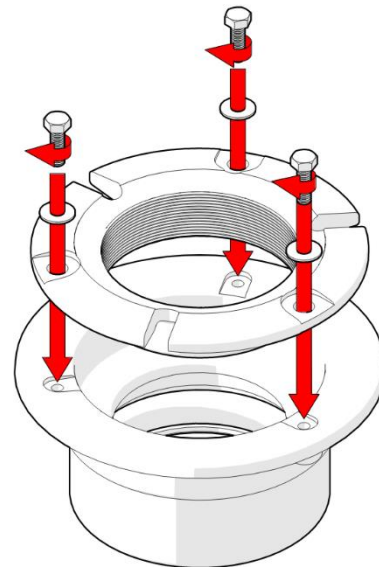
- Once fully assembled, check if grate provides adequate drainage.

TYPICAL INSTALLATION (Vinyl Type)



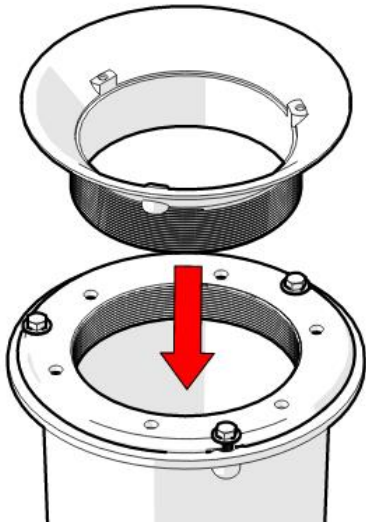
1. Insert Drain Body

- Insert the Drain body to the prepared hole connecting to the PVC/HDPE pipe.



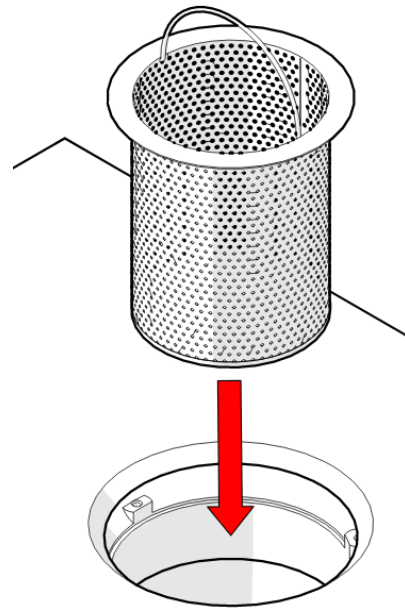
2. Secure Clamp Ring

- Secure the clamp ring using supplied washer and screws.
- Apply waterproofing procedures



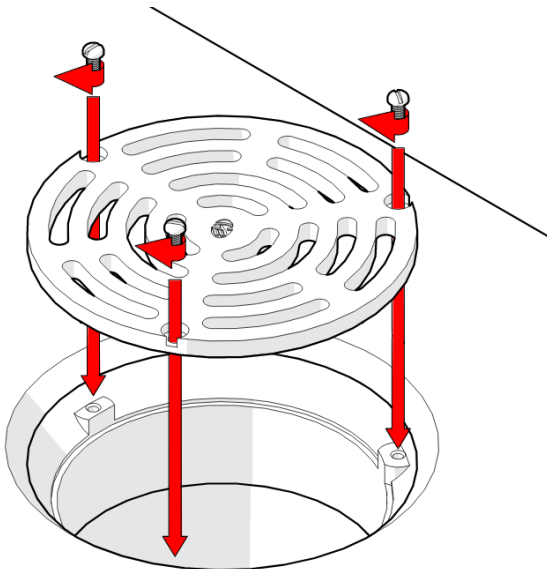
3. Insert Grate Body

- Screw in grate body to drain body
- Apply screed and vinyl flooring procedures



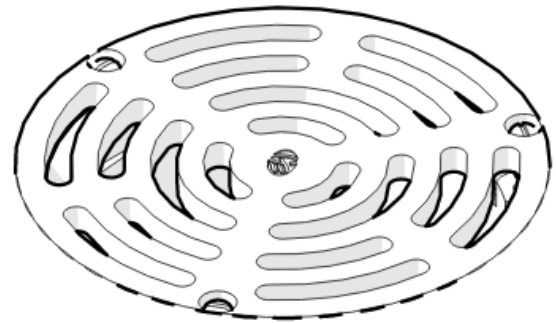
4. Insert Removable Strainer

- Insert removable strainer in the grate body opening



5. Secure Grate

- Secure grating as shown



6. Check Correct Operation

- Once fully assembled, check if grate provides adequate drainage.

MAINTENANCE AND CLEANING

Galvin Specialised products should be cleaned with a soft damp cloth using only mild liquid detergent or soap and water. Do not use cleaning agents containing a corrosive acid, scouring agent or solvents. Do not use cream cleaners, as they are abrasive. Use of unsuitable cleaning agents may damage the surface. Any damage caused in this way will not be covered by warranty.

Regular maintenance should be carried out in accordance with installation and troubleshooting guides provided with the product, the relevant Australian Standards, local authorities and state codes.

Tea staining is an installation and maintenance issue. To reduce the risk of tea staining, products should be regularly cleaned. In certain environments corrosion reducers/inhibitors may need to be regularly applied, and consideration should be given to the use of electropolishing or other surface coatings.

Note: *It is recommended higher grades of stainless steel be specified for corrosive or coastal areas*

TROUBLESHOOTING

PROBLEM	CAUSE	RECTIFICATION
Water is not flowing	<ul style="list-style-type: none"> - Body contains debris or damage - Grate contains debris or damage 	<ul style="list-style-type: none"> - Body must be clean and free from debris. - Grate must be clean and free from debris.

WARRANTY

The warranty set forth herein is given expressly and is the only warranty given by the Galvin Engineering Pty Ltd. With respect to the product, Galvin Engineering Pty Ltd makes no other warranties, express or implied. Galvin Engineering Pty. Ltd. hereby specifically disclaims all other warranties, express or implied, including but not limited to the implied warranties of merchantability and fitness for a particular purpose.

Galvin Engineering Pty Ltd products are covered under our manufacturer’s warranty available for download from www.galvinengineering.com.au. Galvin Engineering products must be installed in accordance with the installation instructions and in accordance with AS3500, PCA, relevant Australian Standards and local authorities applicable to product being installed. Galvin Engineering Pty Ltd expressly warrants that the product is free from operational defects in workmanship and materials for the warranty period as shown on the schedule in the manufacturer’s warranty. During the warranty period, Galvin Engineering will replace or repair any defective products manufactured by Galvin Engineering without charge, so long as the terms of the Manufacturer’s warranty are complied with.

The remedy described in the first paragraph of this warranty shall constitute the sole and exclusive remedy for breach of warranty, and Galvin Engineering Pty Ltd shall not be responsible for any incidental, special or consequential damages, including without limitation, lost profits or the cost of repairing or replacing other property which is damaged if this product does not work properly, other costs resulting from labour charges, delays, vandalism, negligence, fouling caused by foreign material, damage from adverse water conditions, chemical, electrical or any other circumstances over which Galvin Engineering has no control. This warranty shall be invalidated by any abuse, misuse, misapplication, improper installation or improper maintenance or alteration of the product.